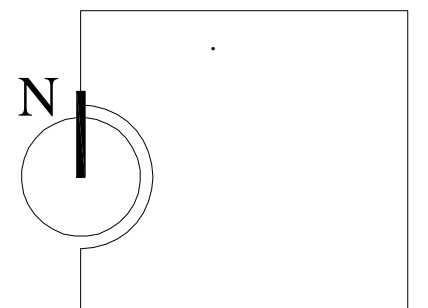


. 0.000

1-
2-

10- 57,68 2

1.	54.96
2.	2.72



+5%