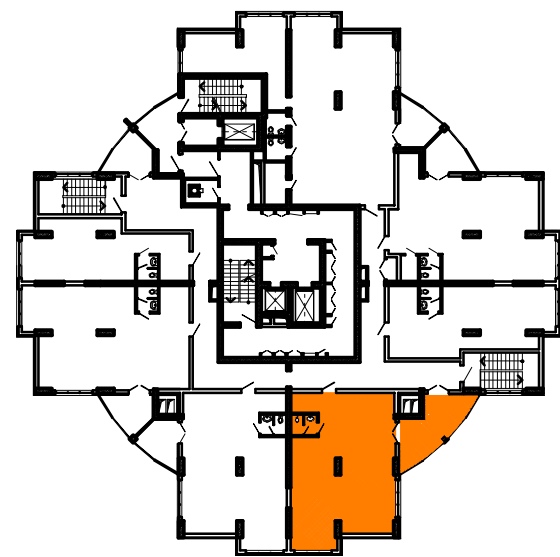
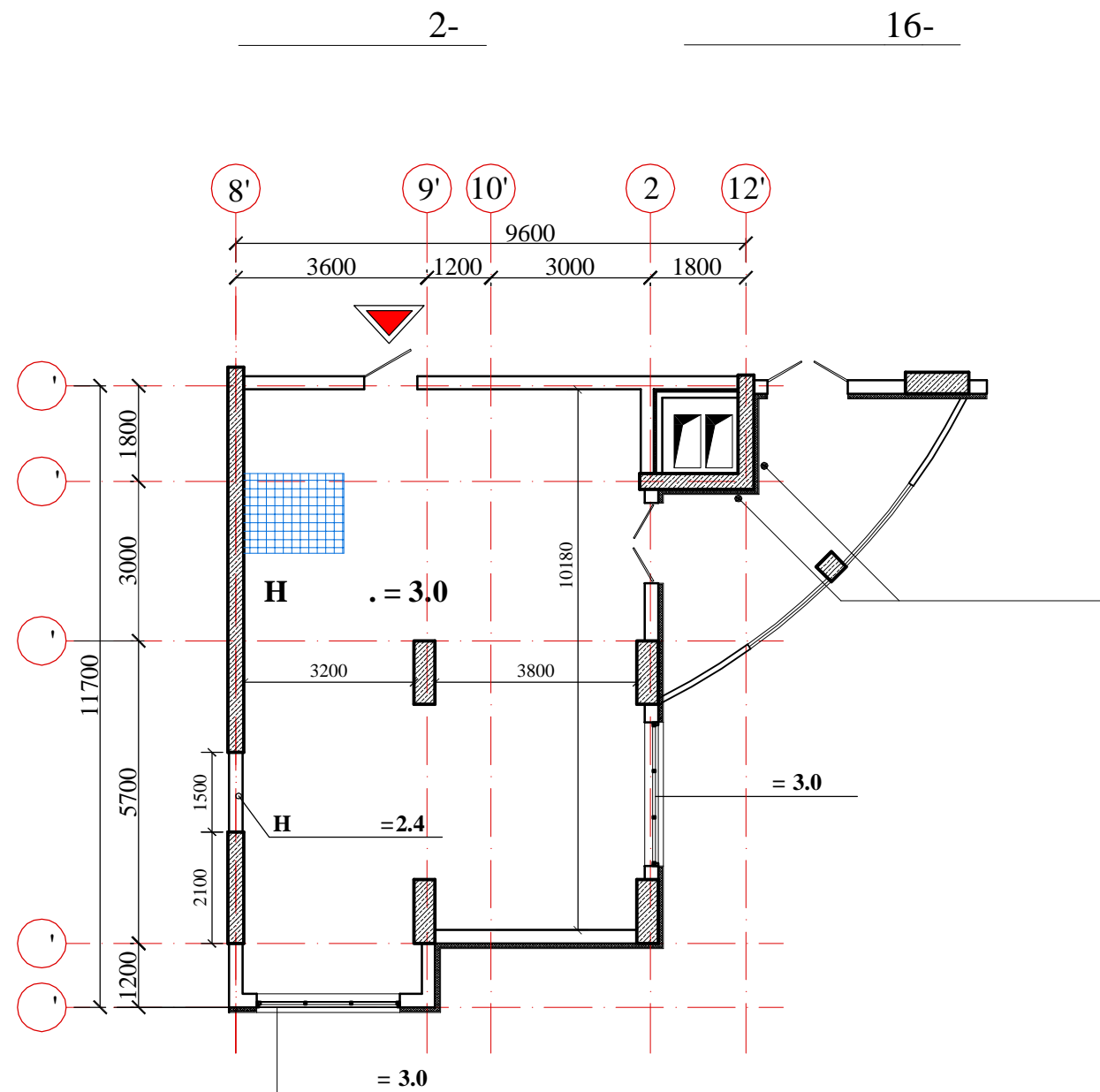


16- 85,61 2



. +3.300
2-
2-

+/-5%

1.		75.45
2.	/	2.72
3.		-
4.		14.88(7.44)

